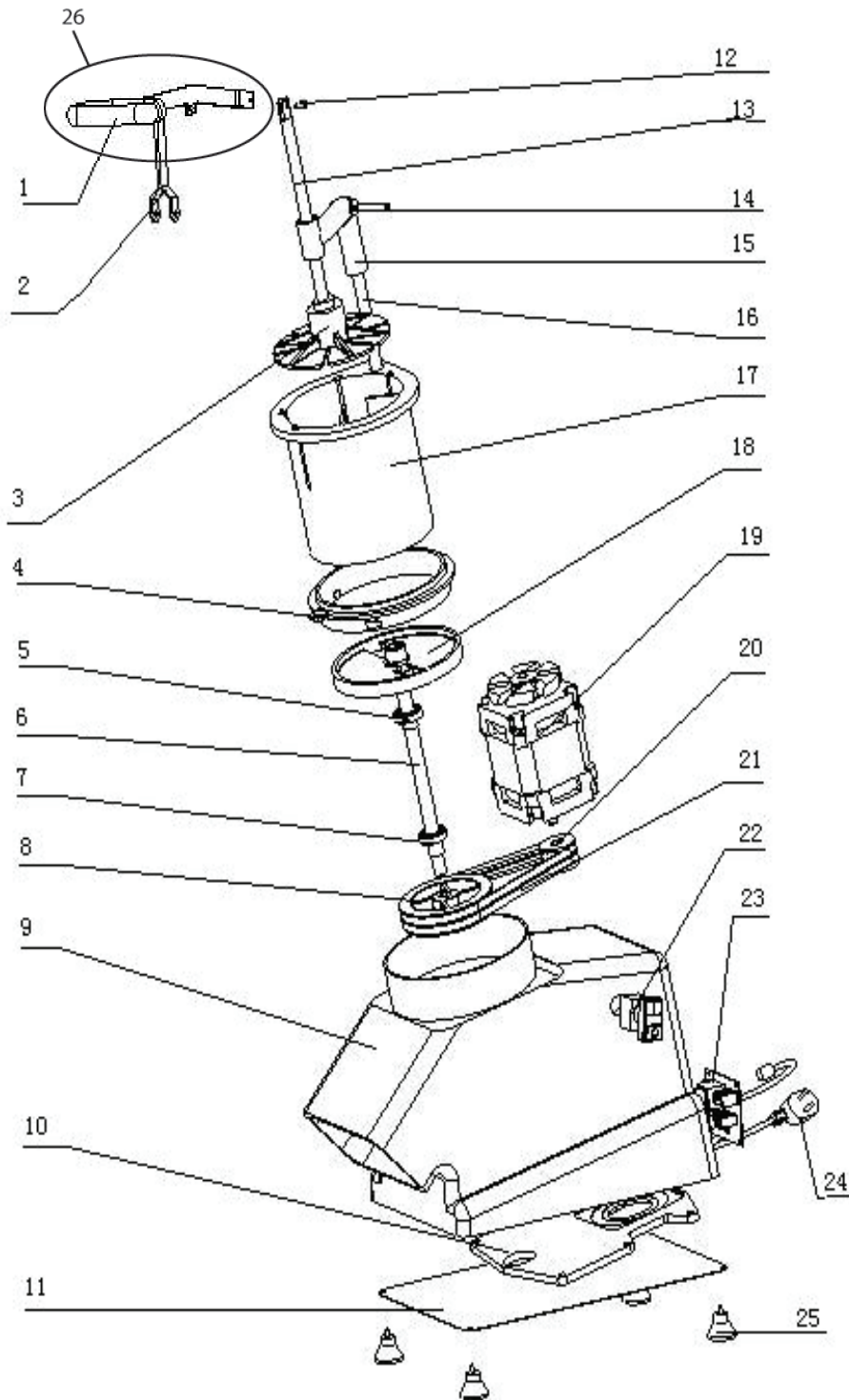


Parts Breakdown

Model FP-CN-0178 19475



Parts Breakdown

Model FP-CN-0178 19475

Item No.	Description	Position	Item No.	Description	Position	Item No.	Description	Position
22290	Handle without Bar for 19475	1	22299	Motor Board for 19475	10	22308	Motor for 19475	19
22291	Bracket for 19475	2	22300	Soleplate for 19475	11	22309	Axis-2 for 19475	20
22292	Plunger for 19475	3	22301	Bolt for 19475	12	22310	Belt for 19475	21
22293	Locknut for 19475	4	22302	Pull Bar for 19475	13	22311	On/Off for 19475	22
22294	Axletree-1 for 19475	5	22303	Axis-1 for 19475	14	22312	Electric Board for 19475	23
22295	Principal Axis for 19475	6	22304	Kickstand for 19475	15	22313	Wire for 19475	24
22296	Axletree-2 for 19475	7	22305	Link Bar for 19475	16	22314	Foot for 19475	25
22297	Wheel for 19475	8	22306	Bucket for 19475	17	66037	Handlebar Complete for 19475	26
22298	Box Body for 19475	9	22307	Plate for 19475	18	24203	Fastening Nut for 19475	